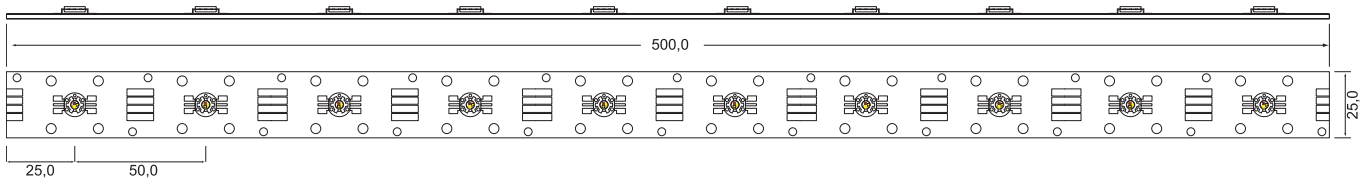


LED power 350 RGB

Aluminium-Metallkernleiterplatte Hochleistungs-RGB-LED (Multicolour) für Konstantstrom 350 mA
 Aluminium metal-core PCB with high-power-LED (multicolour) for constant current 350 mA

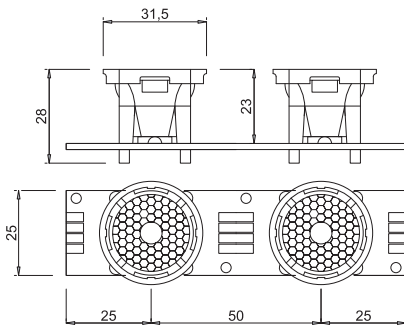


für Konstantstrom 350 mA
for constant current 350 mA



LED-Farbe LED-colour	Länge (L) length (L)	Anzahl LED LED quantity	Wellenlänge wavelength	Nennleistung rated power	typ. Lichtstrom pro LED typ. luminous flux per LED	Netzgerät power sup- ply	Abstrahl- winkel beam angle	Artikelnummer ref.-No.
RGB Multicolour	50 mm	1	R = 618 - 630 nm G = 520 - 535 nm B = 455 - 465 nm	3,6 W	R = 35 lm G = 57 lm B = 13 lm	350 mA	130°	557-201-98
RGB Multicolour	100 mm	2	R = 618 - 630 nm G = 520 - 535 nm B = 455 - 465 nm	7,2 W	R = 35 lm G = 57 lm B = 13 lm	350 mA	130°	557-202-98
RGB Multicolour	150 mm	3	R = 618 - 630 nm G = 520 - 535 nm B = 455 - 465 nm	10,8 W	R = 35 lm G = 57 lm B = 13 lm	350 mA	130°	557-203-98
RGB Multicolour	200 mm	4	R = 618 - 630 nm G = 520 - 535 nm B = 455 - 465 nm	14,4 W	R = 35 lm G = 57 lm B = 13 lm	350 mA	130°	557-204-98
RGB Multicolour	250 mm	5	R = 618 - 630 nm G = 520 - 535 nm B = 455 - 465 nm	18,0 W	R = 35 lm G = 57 lm B = 13 lm	350 mA	130°	557-205-98
RGB Multicolour	300 mm	6	R = 618 - 630 nm G = 520 - 535 nm B = 455 - 465 nm	21,6 W	R = 35 lm G = 57 lm B = 13 lm	350 mA	130°	557-206-98
RGB Multicolour	350 mm	7	R = 618 - 630 nm G = 520 - 535 nm B = 455 - 465 nm	25,2 W	R = 35 lm G = 57 lm B = 13 lm	350 mA	130°	557-207-98
RGB Multicolour	400 mm	8	R = 618 - 630 nm G = 520 - 535 nm B = 455 - 465 nm	28,8 W	R = 35 lm G = 57 lm B = 13 lm	350 mA	130°	557-208-98
RGB Multicolour	450 mm	9	R = 618 - 630 nm G = 520 - 535 nm B = 455 - 465 nm	32,4 W	R = 35 lm G = 57 lm B = 13 lm	350 mA	130°	557-209-98
RGB Multicolour	500 mm	10	R = 618 - 630 nm G = 520 - 535 nm B = 455 - 465 nm	36,0 W	R = 35 lm G = 57 lm B = 13 lm	350 mA	130°	557-210-98

Hocheffiziente optische Linse mit Halter zur RGB-Multicolour POWER-LED, ca.23° Abstrahlwinkel, zum Aufstecken und Verschmelzen auf o.g. Aluminium-Metallkernleiterplatte
 High efficient optical colour mixing lens for RGB-multicolour POWER-LED, approx. 23° beam angle to be fixed and melted onto the above mentioned aluminium metal-core PCB



Artikelnummer
ref.-No.

557-401-00

