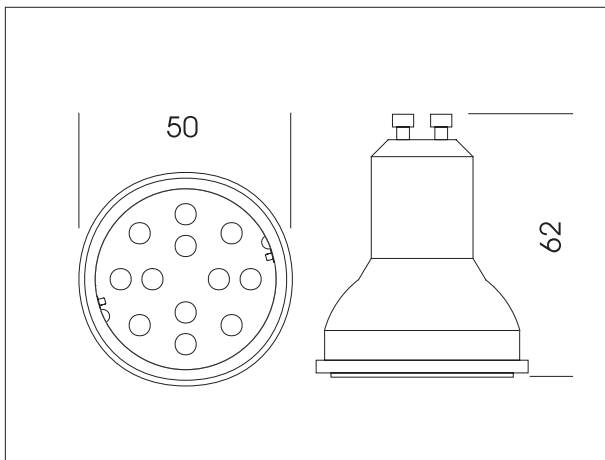
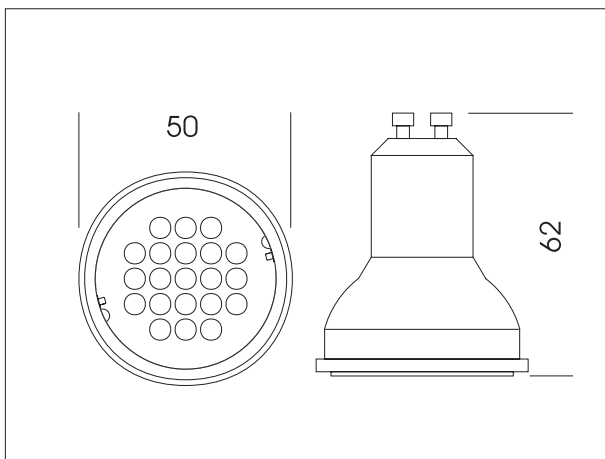


LED 230V



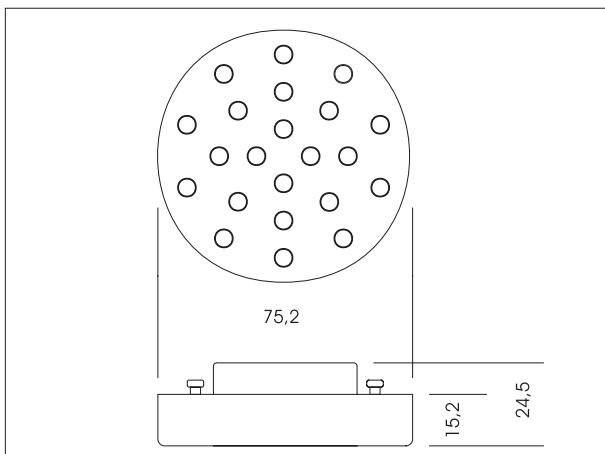
| Farbe [colour] | Spannung [tension] | Nennleistung [rated power] | Verbindung [connection] |
|----------------|--------------------------------|----------------------------|-------------------------|
| 50 | 230 V | 0,96 W | GU/GZ 10 |
| 54 | | | |
| 55 | Type LED-Diode | Anzahl [quantity] LED | Netzgeräte [converter] |
| 56 | | | |
| 58 | Radial ø5mm | 12 | |
| 59 | | | |
| 70 | Specification LED Seite [page] | | |
| 75 | 4 | | |
| 78 | | | |
| 79 | | | |

565-112-..



| Farbe [colour] | Spannung [tension] | Nennleistung [rated power] | Verbindung [connection] |
|----------------|--------------------------------|----------------------------|-------------------------|
| 50 | 230 V | 1,7 W | GU/GZ 10 |
| 54 | | | |
| 55 | Type LED-Diode | Anzahl [quantity] LED | Netzgeräte [converter] |
| 56 | | | |
| 58 | Radial ø5mm | 21 | |
| 59 | | | |
| 70 | Specification LED Seite [page] | | |
| 75 | 4 | | |
| 78 | | | |
| 79 | | | |

567-102-..



| Farbe [colour] | Spannung [tension] | Nennleistung [rated power] | Verbindung [connection] |
|----------------|--------------------------------|----------------------------|-------------------------|
| 50 | 230 V | 1,7 W | GX 53 |
| 54 | | | |
| 55 | Type LED-Diode | Anzahl [quantity] LED | Netzgeräte [converter] |
| 56 | | | |
| 58 | Radial ø5mm | 21 | |
| 59 | | | |
| 70 | Specification LED Seite [page] | | |
| 75 | 4 | | |
| 78 | | | |
| 79 | | | |

567-150-..